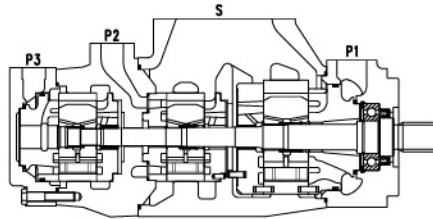
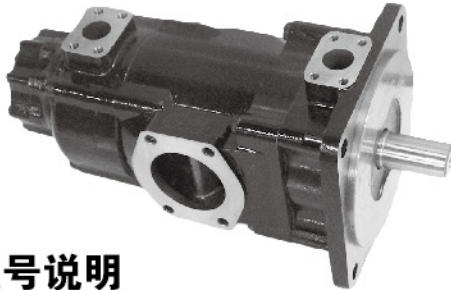
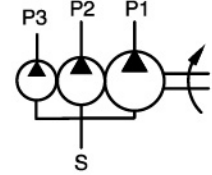


T6, T67, T7 系列三联泵

T6, T67, T7 SERIES-TREBLE PUMPS



液压符号
Hydraulic Sign



型号说明

MODEL CODE

| T6DCC | (M) | -042 | -017 | -010 | -1 | R | 02 | -A | 1 | 01 |
|---------------|--|---|---|---|-----------------------------------|---|------------------------------------|-------------------------|--|---|
| 系列号 Series | 类别代号 Type Code | 轴端泵排量代号 Flow-shaft end Pump | 中间泵排量代号 Flow-mid pump | 盖端泵排量代号 Flow-cover end pump | 轴伸形式 Shaft type | 旋转方向 Rotation | 油口位置 Port positions | 设计号 Design number | 密封等级 Sealing Level | 油口尺寸 Port dimensions |
| T67DBB (S) | 无: 工业用型 M: 车用型 S: 车用型 采用SAE J744c 安装法兰 | 014/B14, 017/B17, 020/B20, 024/B24, 028/B28, 031/B31, 035/B35, 038/B38, 042/B42, 045/B45, 050/B50, 061 | B02, B03, B04, B05, B06, B07, B08, B10, B12, B15, B20 | B02, B03, B04, B05, B06, B07, B08, B10, B12, B15, B20 | 见轴伸 尺寸 See size of shaft | 从泵的 轴端看 R-顺时针 旋转 L-逆时针 旋转 Viewed from shaft end of pump R- right hand for clockwise L- left hand for counter- clockwise | 见下图 see picture below | A | 1-S1, 丁腈橡胶 NBR Nitrile rubber 5-S5, 氟橡胶 Fluororubber | 无此选项 NO |
| T67DCB (S) | | 014/B14, 017/B17, 020/B20, 024/B24, 028/B28, 031/B31, 035/B35, 038/B38, 042/B42, 045/B45, 050/B50, 061 | 003/B03, 005/B05, 006/B06, 008/B08, 010/B10, 012/B12, 014/B14, 017/B17, 020/B20, 022/B22, 025/B25, 028/B28, 031/B31 | B02, B03, B04, B05, B06, B07, B08, B10, B12, B15, B20 | | | | | | 00、01, 见安装连接 尺寸 See installation dimensions |
| T6DCC | | 014/B14, 017/B17, 020/B20, 024/B24, 028/B28, 031/B31, 035/B35, 038/B38, 042/B42, 045/B45, 050/B50, 061 | 003/B03, 005/B05, 006/B06, 008/B08, 010/B10, 012/B12, 014/B14, 017/B17, 020/B20, 022/B22, 025/B25, 028/B28, 031/B31 | 003/B03, 005/B05, 006/B06, 008/B08, 010/B10, 012/B12, 014/B14, 017/B17, 020/B20, 022/B22, 025/B25, 028/B28, 031/B31 | | | | | | 无此选项 NO |
| T67DDBS | | 014/B14, 017/B17, 020/B20, 024/B24, 028/B28, 031/B31, 035/B35, 038/B38, 042/B42, 045/B45, 050/B50, 061 | 014/B14, 017/B17, 020/B20, 024/B24, 028/B28, 031/B31, 035/B35, 038/B38, 042/B42, 045/B45, 050/B50, 061 | B02, B03, B04, B05, B06, B07, B08, B10, B12, B15, B20 | | | | | | 无此选项 NO |
| T6DDC | | 014/B14, 017/B17, 020/B20, 024/B24, 028/B28, 031/B31, 035/B35, 038/B38, 042/B42, 045/B45, 050/B50, 061 | 014/B14, 017/B17, 020/B20, 024/B24, 028/B28, 031/B31, 035/B35, 038/B38, 042/B42, 045/B45, 050/B50, 061 | 003/B03, 005/B05, 006/B06, 008/B08, 010/B10, 012/B12, 014/B14, 017/B17, 020/B20, 022/B22, 025/B25, 028/B28, 031/B31 | | | | | | 00、01, 见 安装连接 尺寸 See installation dimensions |
| T6EDB (S) | | 042, 045, 050, 052, 057, 062, 066, 072, 085 | 014/B14, 017/B17, 020/B20, 024/B24, 028/B28, 031/B31, 035/B35, 038/B38, 042/B42, 045/B45, 050/B50, 061 | B02, B03, B04, B05, B06, B07, B08, B10, B12, B15, B20 | | | | | | 无此选项 NO |
| T6EDC | | 042, 045, 050, 052, 057, 062, 066, 072, 085 | 014/B14, 017/B17, 020/B20, 024/B24, 028/B28, 031/B31, 035/B35, 038/B38, 042/B42, 045/B45, 050/B50, 061 | 003/B03, 005/B05, 006/B06, 008/B08, 010/B10, 012/B12, 014/B14, 017/B17, 020/B20, 022/B22, 025/B25, 028/B28, 031/B31 | | | | | | 00、01, 见 安装连接 尺寸 See installation dimensions |

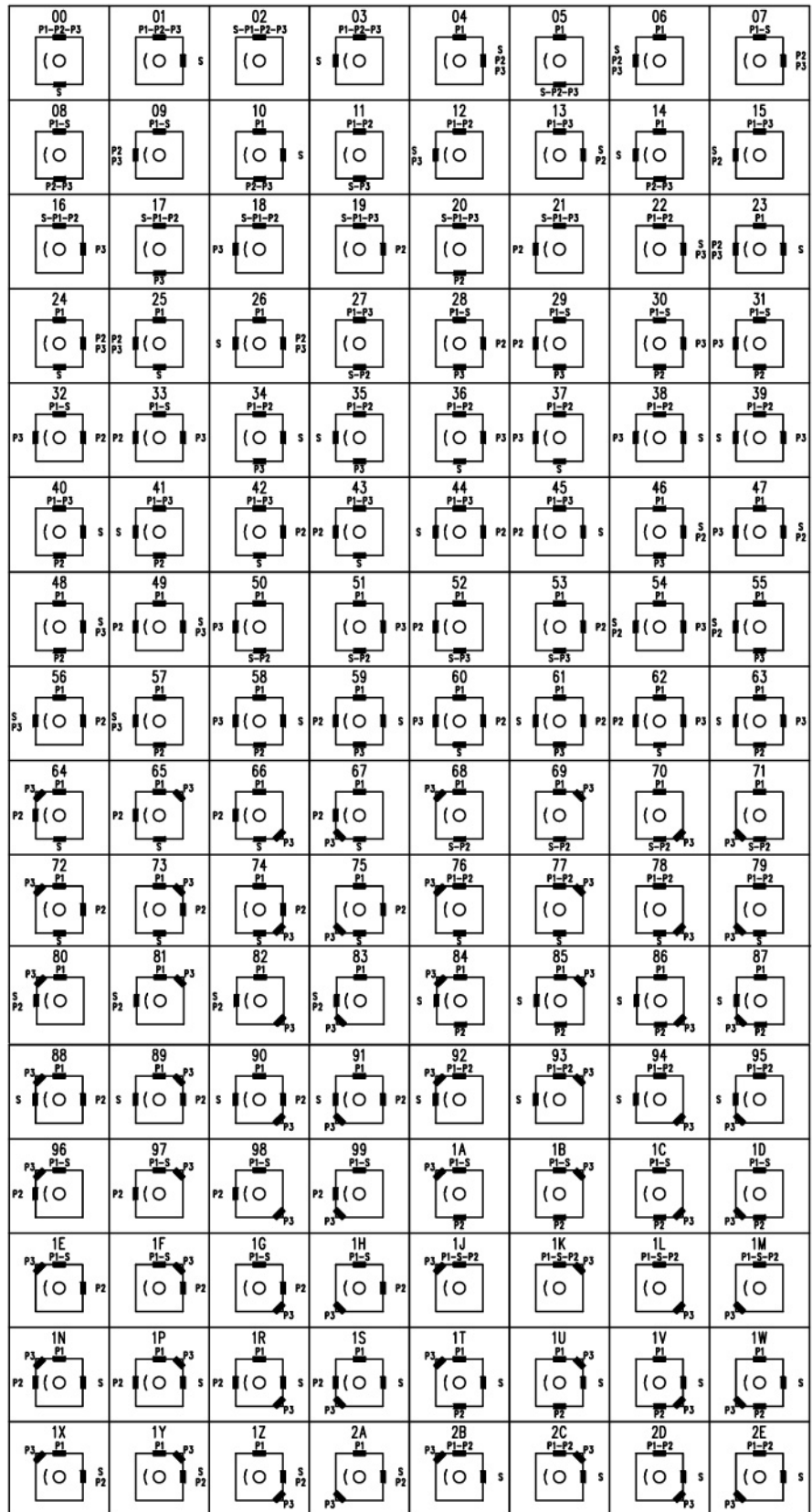
003/B03

排量代号中0表示单转向型配流侧板结构, B表示双转向型配流侧板结构; 与相应系列、规格的T6单泵性能参数一致, 详见T6系列单泵的性能参数
In displacement code, 0 means single steering valve plate structure, B means the two steering valve plate structure.
The data of relevant series ,model are unanimous.Please see T6 series-single pumps data

油口位置 (从泵的轴端看)

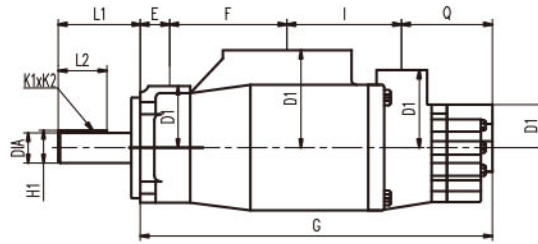
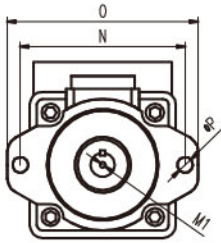
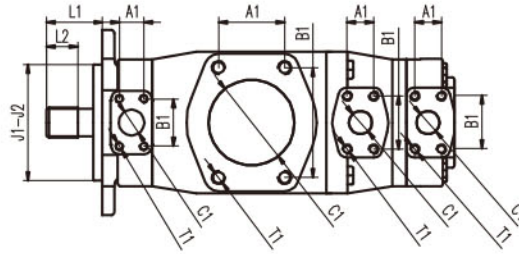
PORT POSITIONS (VIEWED FROM SHAFT END OF PUMP)

- T67DBB(S)
- T67DCB(S)
- T6DCC
- T67DDBS
- T6DDC
- T6EDB(S)
- T6EDC



安装连接尺寸

INSTALLATION DIMENSIONS



| T6DCC T67DCB(S) T67DBB(S) | |
|---------------------------------|--------|
| E | 38.1 |
| F | 138.0 |
| G | 404.0 |
| I | 119.3 |
| J1 | 127.00 |
| J2 | 126.95 |
| N | 181.0 |
| O | 212.4 |
| ΦP | 17.5 |
| Q | 84.4 |

轴伸/Shaft extension

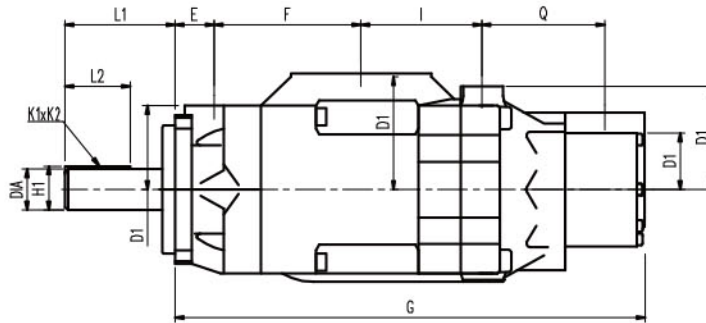
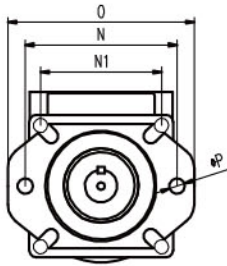
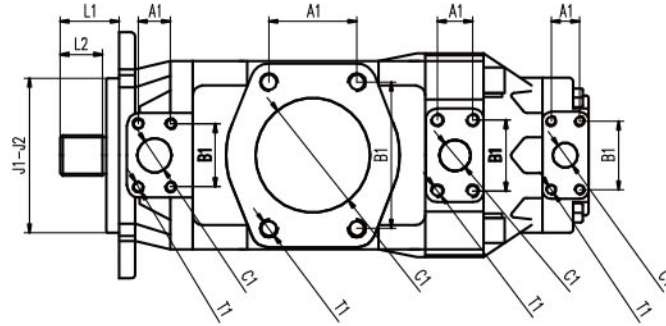
| 型号 Model | 轴伸代号 Shaft code | 最大扭矩 Max torque (N.m) | L1 | L2 | DIA | K1xK2 | H1 | M1 |
|---------------------------------|--------------------|--------------------------|------|------|--|-----------|------|----|
| T67DBB(S) T67DCB(S) T6DCC | 1 | 721 | 83.6 | 49.3 | 31.750/31.700 | 6.35x6.30 | 34.6 | - |
| | 2 | 1108 | 89.7 | 50.8 | 38.100/38.075 | 9.52x9.47 | 42.4 | - |
| | 3 | ● | 55.2 | 38.0 | SAE J498b 1级class, 径节Diametral pitch12/24, 14T | | | - |
| | 4 | ● | 61.0 | 31.5 | SAE J498b 1级class, 径节Diametral pitch12/24, 17T | | | - |
| T6DCC | 5 | ● | 76.0 | 48.0 | SAE J498b 1级class, 径节Diametral pitch12/24, 14T | | | - |

- 能在最大流量，最高压力下工作。
work at maximum flow and pressure.

| 油口/Oil port | | | 法兰 Flange | 安装尺寸/Install Dimensions(mm) | | | | |
|------------------------|----|----------|-----------|-----------------------------|-------|-------|-------|------------------|
| | | | | A1 | B1 | ΦC1 | D1 | T1口螺纹Thread |
| T67DBB(S) T67DCB(S) | P1 | 1-1/4" | F10 | 30.2 | 58.7 | 31.8 | 82.6 | 7/16"-14UNCx22.3 |
| | P2 | 1" | F08 | 26.2 | 52.4 | 25.4 | 101.6 | 3/8"-16UNCx19.0 |
| | P3 | 3/4" | F06 | 22.2 | 47.6 | 19.0 | 74.7 | 3/8"-16UNCx19.0 |
| | S | 4" | F32 | 77.8 | 130.2 | 101.6 | 127 | 5/8"-11UNCx30.0 |
| T6DCC | P1 | 1-1/4" | F10 | 30.2 | 58.7 | 31.8 | 82.6 | 7/16"-14UNCx22.3 |
| | P2 | 1" | F08 | 26.2 | 52.4 | 25.4 | 101.6 | 3/8"-16UNCx19.0 |
| | P3 | 01: 3/4" | F06 | 22.2 | 47.6 | 19.0 | 74.7 | 3/8"-16UNCx19.0 |
| | P3 | 00: 1" | F08 | 26.2 | 52.4 | 25.4 | 74.7 | 3/8"-16UNCx19.0 |
| | S | 4" | F32 | 77.8 | 130.2 | 101.6 | 127 | 5/8"-11UNCx30.0 |

安装连接尺寸

INSTALLATION DIMENSIONS



| T6DDCS T67DDBS | |
|-------------------|--------|
| E | 38.1 |
| F | 148.5 |
| G | 455.0 |
| I | 125.0 |
| J1 | 127.00 |
| J2 | 126.95 |
| N | 181.0 |
| O | 213.0 |
| ΦP | 17.5 |
| Q | 120.0 |

轴伸/Shaft extension

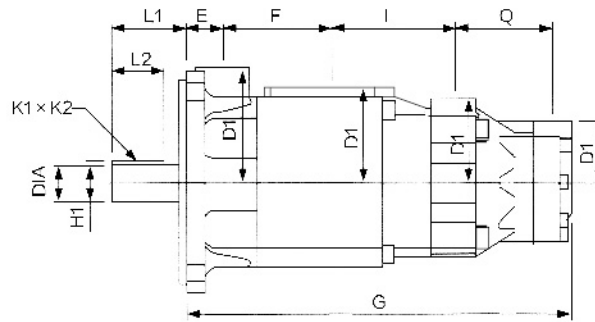
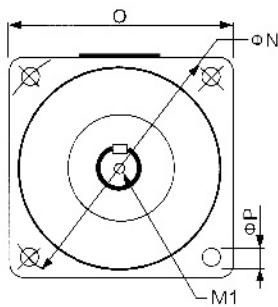
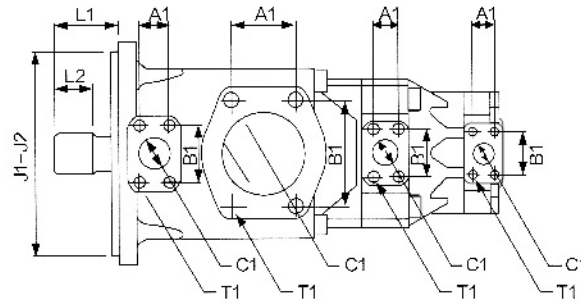
| 型号Model | 轴伸代号 Shaft code | 最大扭矩 Max torque (N.m) | L1 | L2 | DIA | K1xK2 | H1 | M1 |
|-------------------|--------------------|--------------------------|------|------|---|-----------|-------|--------|
| T67DDBS T6DDCS | 1 | 686 | 84.0 | 49.3 | 31.750/31.700 | 7.94x7.89 | 35.27 | M10x20 |
| | 2 | 1148 | 91.0 | 50.8 | 38.100/38.075 | 9.52x9.47 | 42.36 | M10x20 |
| | 5 | 883 | 84.0 | 60.0 | 34.900/34.850 | 7.94x7.89 | 38.42 | M10x20 |
| | 3 | 971 | 56.0 | 38.0 | SAE J498b 1级class, 径节Diametral pitch 12/24, 14T | | | - |
| | 4 | ● | 62.0 | 31.5 | SAE J498b 1级class, 径节Diametral pitch 12/24, 17T | | | - |

- 能在最大流量，最高压力下工作。
work at maximum flow and pressure.

| 油口/Oil port | | | 法兰 Flange | 安装尺寸/Install Dimensions(mm) | | | | |
|-------------|----|----------|-----------|-----------------------------|-------|-------|-------|------------------|
| | | | | A1 | B1 | ΦC1 | D1 | T1口螺纹Thread |
| T67DDBS | P1 | 1-1/4" | F10 | 30.2 | 58.7 | 31.8 | 82.6 | 7/16"-14UNCx22.3 |
| | P2 | 1-1/4" | F10 | 30.2 | 58.7 | 31.8 | 101.6 | 7/16"-14UNCx24.0 |
| | P3 | 3/4" | F06 | 22.2 | 47.6 | 19.0 | 74.7 | 3/8"-16UNCx19.0 |
| | S | 4" | F32 | 77.8 | 130.2 | 101.6 | 115.0 | 5/8"-11UNCx30.0 |
| T6DDCS | P1 | 1-1/4" | F10 | 30.2 | 58.7 | 31.8 | 82.6 | 7/16"-14UNCx22.3 |
| | P2 | 1-1/4" | F10 | 30.2 | 58.7 | 31.8 | 101.6 | 7/16"-14UNCx24.0 |
| | P3 | 01: 3/4" | F06 | 22.2 | 47.6 | 19.0 | 74.7 | 3/8"-16UNCx19.0 |
| | P3 | 00: 1" | F08 | 26.2 | 52.4 | 25.4 | 74.7 | 3/8"-16UNCx19.0 |
| | S | 4" | F32 | 77.8 | 130.2 | 101.6 | 115.0 | 5/8"-11UNCx30.0 |

安装连接尺寸

INSTALLATION DIMENSIONS



| T6EDC | | T7EEC | |
|-------|-------|-------|-------|
| E | 42.9 | E | 42.9 |
| F | 133.3 | F | 167.3 |
| G | 468.0 | G | 516.8 |
| I | 148.4 | I | 162.2 |
| J1 | 250h8 | J1 | 250h8 |
| J2 | 250h8 | J2 | 250h8 |
| ΦN | 315.0 | ΦN | 315.0 |
| O | 273.0 | O | 273.0 |
| ΦP | 22.0 | ΦP | 22.0 |
| Q | 120.0 | Q | 120.0 |

| T6EDCS T67EDB(S) | | T7EECS | |
|---------------------|--------|--------|--------|
| E | 42.9 | E | 42.9 |
| F | 133.3 | F | 167.3 |
| G | 468.0 | G | 516.8 |
| I | 148.4 | I | 162.2 |
| J1 | 165.10 | J1 | 165.10 |
| J2 | 165.05 | J2 | 165.05 |
| ΦN | 315.0 | ΦN | 317.5 |
| O | 273.0 | O | 273.0 |
| ΦP | 20.8 | ΦP | 20.8 |
| Q | 120.0 | Q | 120.0 |

轴伸 Shaft extension

| 型号Model | 轴伸代号 Shaft code | 最大扭矩 Max torque (N.m) | L1 | L2 | DIA | K1xK2 | H1 | M1 |
|--------------------------|--------------------|-----------------------------|-------|------|--|-------------|------|------------|
| T67EDBS, T6EDC T6EDCS | 1 | ● | 92.0 | 63.0 | 45h7 | 14h7x9 | 48.5 | M12x24 |
| T6EDCS | 2 | ● | 100.0 | 63.5 | 44.45/44.40 | 11.11x11.06 | 49.3 | 1/2-UNCx24 |
| | 3 | ● | 75.0 | 48.8 | SAE J498b 1级 class, 径节Diametral pitch8/16, 13T | | | - |
| T7EEC(S) | 2 | ● | 92.0 | 63.0 | 45h7 | 14h7x9 | 48.5 | M12x24 |

- 能在最大流量，最高压力下工作。
work at maximum flow and pressure.

| 油口/Oil port | | | 法兰 Flange | 安装尺寸/Install Dimensions(mm) | | | | |
|-----------------|----|----------|--------------|-----------------------------|-------|-------|-------|------------------|
| | | | | A1 | B1 | ΦC1 | D1 | T1口螺纹Thread |
| T67EDBS | P1 | 1-1/2" | F12 | 35.7 | 69.9 | 37.1 | 139.7 | 1/2"-13UNCx30.0 |
| | P2 | 1-1/4" | F10 | 30.2 | 58.7 | 31.8 | 101.6 | 7/16"-14UNCx24.0 |
| | P3 | 3/4" | F06 | 22.2 | 47.6 | 19.0 | 74.7 | 3/8"-16UNCx19.0 |
| | S | 4" | F32 | 77.8 | 130.2 | 101.6 | 115.0 | 5/8"-11UNCx30.0 |
| T6EDC T6EDCS | P1 | 1-1/2" | F12 | 35.7 | 69.9 | 37.1 | 139.7 | 1/2"-13UNCx30.0 |
| | P2 | 1-1/4" | F10 | 30.2 | 58.7 | 31.8 | 101.6 | 7/16"-14UNCx24.0 |
| | P3 | 01: 3/4" | F06 | 22.2 | 47.6 | 19.0 | 74.7 | 3/8"-16UNCx19.0 |
| | P3 | 00: 1" | F08 | 26.2 | 52.4 | 25.4 | 74.7 | 3/8"-16UNCx19.0 |
| | S | 4" | F32 | 77.8 | 130.2 | 101.6 | 115.0 | 5/8"-11UNCx30.0 |
| T7EEC(S) | P1 | 1-1/2" | F12 | 35.7 | 69.9 | 37.1 | 139.7 | M12x30 |
| | P2 | 1-1/2" | F12 | 35.7 | 69.9 | 37.1 | 98.6 | M12x30 |
| | P3 | 1" | F08 | 26.2 | 52.4 | 25.4 | 74.7 | M10x19 |
| | S | 4" | F32 | 77.8 | 130.2 | 101.6 | 115.0 | M16x30 |