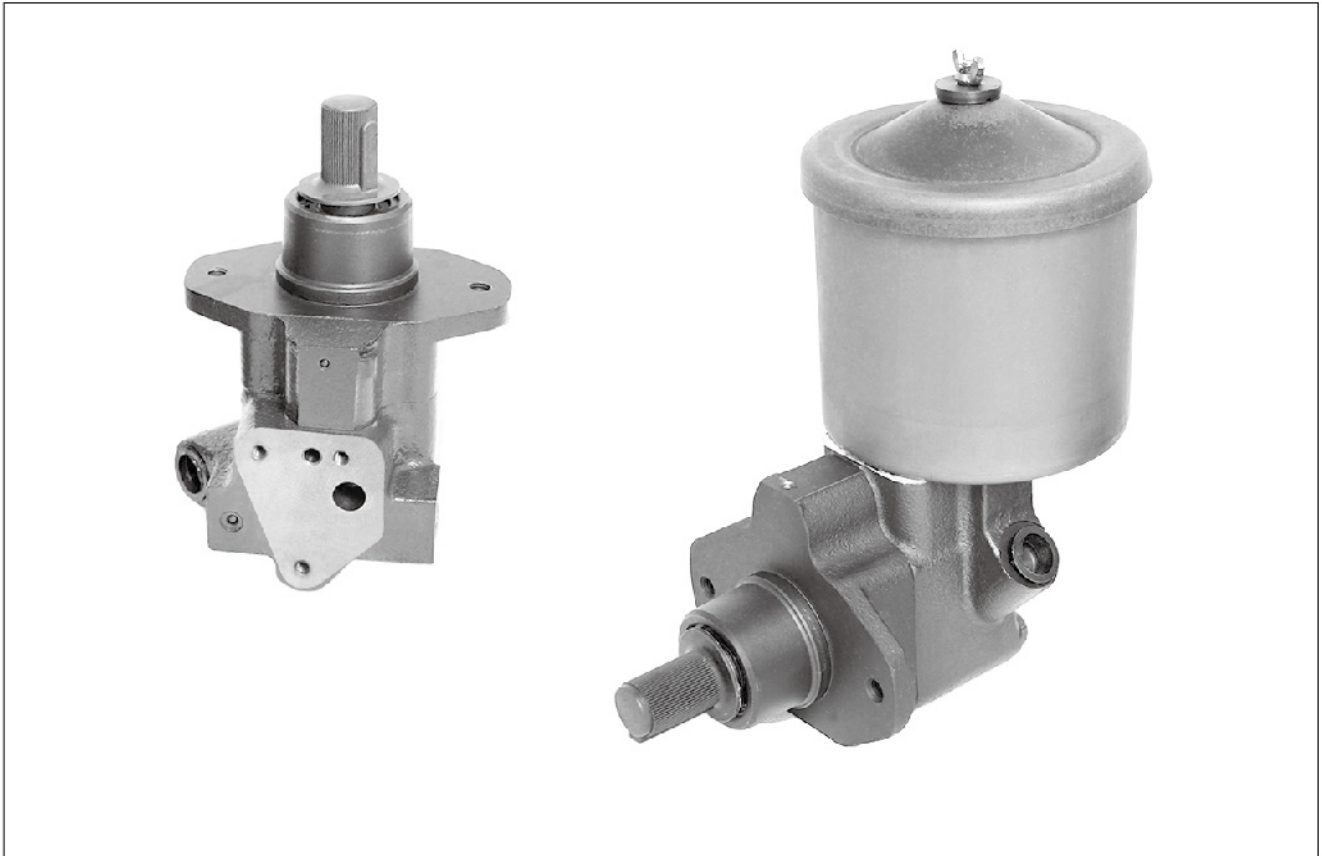


## **VTM42 动力转向泵**

**VPV SERIES VARIABLE DISPLACEMENT VANE PUMPS**



### **高效率**

最佳的运行间隙和液压平衡使得在整个泵寿命期内保持高效率。

### **液压平衡**

Vickers 结构消除压力诱发的轴承载荷，保证长寿命并减少维修。

### **内装阀**

流量控制和溢流可省掉单独的阀。Vickers 泵在一个壳体里提供用于转向的完整的动力源。

#### **High efficiency:**

The optimal operating clearance and hydro-cushion are designed to make the pumps keeping working with high efficiency during their working life.

#### **Hydro-cushion:**

Vickers structure is designed to eliminate the bearing load induced by pressure, and it can keep the pump working for longer time with less repair.

#### **Internal valve:**

Internal valve is designed to omit separate valve, and it can make pumps providing whole power for steering.

## 技术参数

### TECHNICAL DATA

系列 型号	流量 USgpm @1200r/min 7bar(100psi)	排量 cm <sup>3</sup> /r (in <sup>3</sup> /r)	最高转速 -r/min			最高压力 bar(psi)	近似重量 kg(lbs.)
			@7bar (100psi)	@100bar (1500psi)	@140bar (2000psi)		
VTM42	1	3,4(.21)	7000	5000	4250	140 (2000)	6,4 (14)
	1.5	5,1(.31)	7000	4500	4000		
	2	6,2(.38)	7000	4200	3800		
	4	12,9(.79)	7000	2800	2800		
	5	15,7(.96)	6000	2600	2300		
	6	19,3(1.18)	5000	2500	2000		

## 型号说明

### MODEL CODE

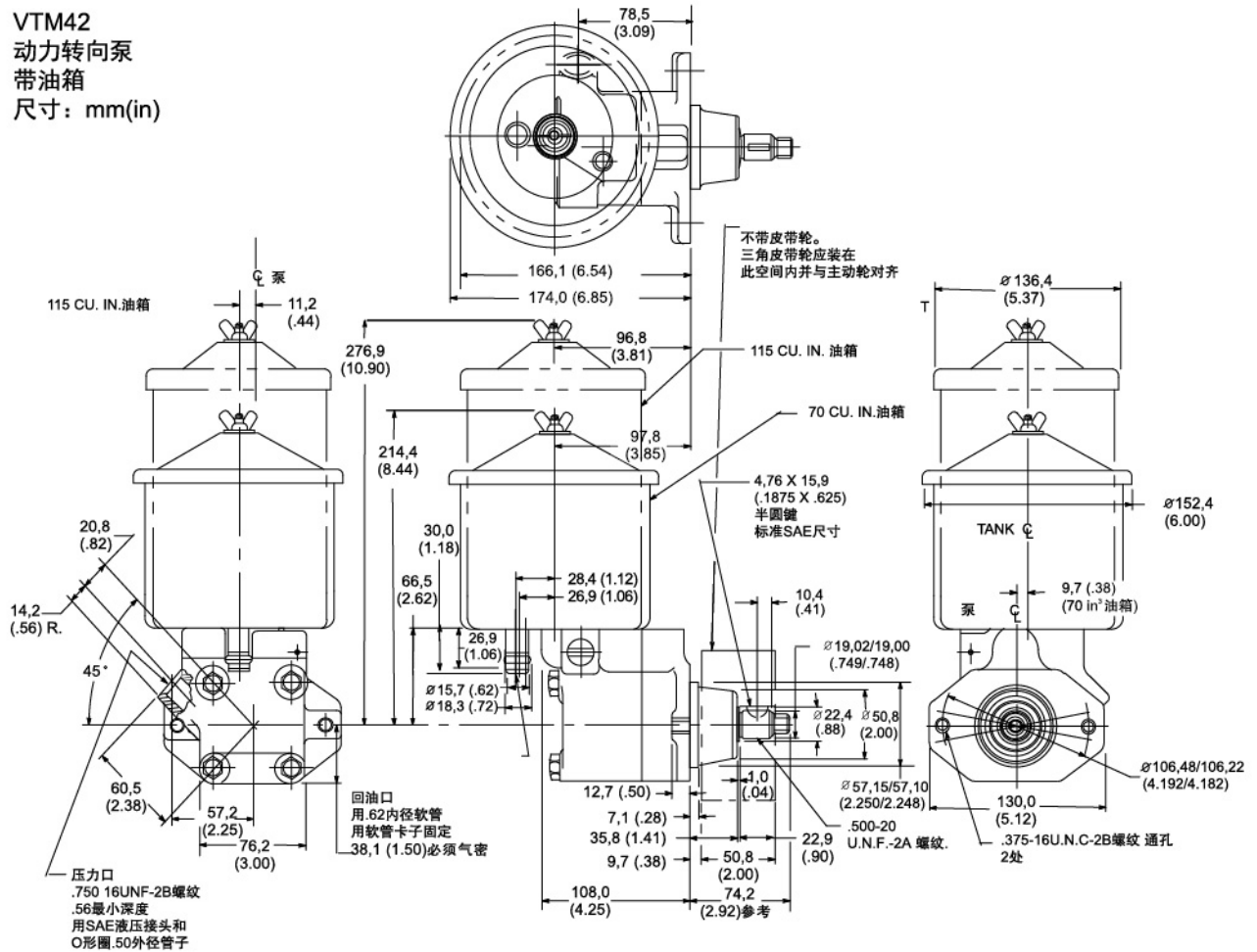
VTM - 42 (A) - 20 - 15 - 20 - F 11 - R 1 - 14

- |  |                |                |                |                |                |                |                          |                        |                            |                         |                           |                         |                           |                         |                           |                         |                           |                           |                           |  |                       |                       |                        |                        |                         |                         |                         |  |   |  |
|--|----------------|----------------|----------------|----------------|----------------|----------------|--------------------------|------------------------|----------------------------|-------------------------|---------------------------|-------------------------|---------------------------|-------------------------|---------------------------|-------------------------|---------------------------|---------------------------|---------------------------|--|-----------------------|-----------------------|------------------------|------------------------|-------------------------|-------------------------|-------------------------|--|---|--|
| <p><b>1</b> 叶片式车辆泵</p> <hr/> <p><b>2</b> 系列</p> <hr/> <p><b>3</b> 安装法兰<br/>A - SAE A 安装法兰<br/>不需要时省略</p> <hr/> <p><b>4</b> 定子规格 - 流量<br/>(SAE 额定值 -1200rpm和7 bar (100 psi))</p> <table style="width: 100%; border: none;"> <tr> <td>10 - 1.0 USgpm</td> <td>40 - 4.0 USgpm</td> </tr> <tr> <td>15 - 1.5 USgpm</td> <td>50 - 5.0 USgpm</td> </tr> <tr> <td>20 - 2.0 USgpm</td> <td>60 - 6.0 USgpm</td> </tr> </table> <hr/> <p><b>5</b> 控制流量<br/>(在1500 rpm 和 7 bar (100 psi))</p> <table style="width: 100%; border: none;"> <tr><td>15 - 6 L/min (1.5 USgpm)</td></tr> <tr><td>20 - 8 L/min (2 USgpm)</td></tr> <tr><td>25 - 9,5 L/min (2.5 USgpm)</td></tr> <tr><td>30 - 11 L/min (3 USgpm)</td></tr> <tr><td>35 - 13 L/min (3.5 USgpm)</td></tr> <tr><td>40 - 15 L/min (4 USgpm)</td></tr> <tr><td>45 - 17 L/min (4.5 USgpm)</td></tr> <tr><td>50 - 19 L/min (5 USgpm)</td></tr> <tr><td>55 - 21 L/min (5.5 USgpm)</td></tr> <tr><td>60 - 23 L/min (6 USgpm)</td></tr> <tr><td>65 - 25 L/min (6.5 USgpm)</td></tr> <tr><td>70 - 26,5 L/min (7 USgpm)</td></tr> <tr><td>75 - 28 L/min (7.5 USgpm)</td></tr> </table> <hr/> | 10 - 1.0 USgpm | 40 - 4.0 USgpm | 15 - 1.5 USgpm | 50 - 5.0 USgpm | 20 - 2.0 USgpm | 60 - 6.0 USgpm | 15 - 6 L/min (1.5 USgpm) | 20 - 8 L/min (2 USgpm) | 25 - 9,5 L/min (2.5 USgpm) | 30 - 11 L/min (3 USgpm) | 35 - 13 L/min (3.5 USgpm) | 40 - 15 L/min (4 USgpm) | 45 - 17 L/min (4.5 USgpm) | 50 - 19 L/min (5 USgpm) | 55 - 21 L/min (5.5 USgpm) | 60 - 23 L/min (6 USgpm) | 65 - 25 L/min (6.5 USgpm) | 70 - 26,5 L/min (7 USgpm) | 75 - 28 L/min (7.5 USgpm) | <p><b>6</b> 溢流阀设定值<br/>(开启压力)</p> <table style="width: 100%; border: none;"> <tr><td>05 - 35 bar (500 psi)</td></tr> <tr><td>07 - 52 bar (750 psi)</td></tr> <tr><td>10 - 70 bar (1000 psi)</td></tr> <tr><td>12 - 86 bar (1250 psi)</td></tr> <tr><td>15 - 100 bar (1500 psi)</td></tr> <tr><td>17 - 120 bar (1750 psi)</td></tr> <tr><td>20 - 140 bar (2000 psi)</td></tr> </table> <hr/> <p><b>7</b> 油箱过滤器</p> <p>F - 过滤器代替标准隔板<br/>不需要时省略</p> <hr/> <p><b>8</b> 油箱或歧管</p> <table style="width: 100%; border: none;"> <tr><td>07 - 1147 mL (70 in<sup>3</sup>) 油箱<br/>(VTM42A 省略)</td></tr> <tr><td>11 - 1884 mL (115 in<sup>3</sup>) 油箱<br/>(VTM42A 省略)</td></tr> </table> <p>MA - 不带旁通管的歧管<br/>MB - 带旁通管的歧管<br/>MD - 带 90° 油箱口的歧管<br/>ME - 不带旁通管的铸造歧管<br/>MF - 带旁通管的铸造歧管<br/>NO - 无 (仅发货封盖)</p> <hr/> | 05 - 35 bar (500 psi) | 07 - 52 bar (750 psi) | 10 - 70 bar (1000 psi) | 12 - 86 bar (1250 psi) | 15 - 100 bar (1500 psi) | 17 - 120 bar (1750 psi) | 20 - 140 bar (2000 psi) | 07 - 1147 mL (70 in <sup>3</sup> ) 油箱<br>(VTM42A 省略) | 11 - 1884 mL (115 in <sup>3</sup> ) 油箱<br>(VTM42A 省略) | <p><b>9</b> 轴旋转方向</p> <p>R - 右旋(顺时针)<br/>L - 左旋(逆时针)</p> <hr/> <p><b>10</b> 轴伸型式</p> <p>1 - 带螺纹轴伸(仅VTM42)<br/>38 - 花键轴(仅VTM42A)</p> <hr/> <p><b>11</b> 设计</p> <p>可能改变。对于设计-10<br/>至-19,安装连接尺寸保持相同。</p> <hr/> |
| 10 - 1.0 USgpm   | 40 - 4.0 USgpm |                |                |                |                |                |                          |                        |                            |                         |                           |                         |                           |                         |                           |                         |                           |                           |                           |  |                       |                       |                        |                        |                         |                         |                         |  |   |  |
| 15 - 1.5 USgpm   | 50 - 5.0 USgpm |                |                |                |                |                |                          |                        |                            |                         |                           |                         |                           |                         |                           |                         |                           |                           |                           |  |                       |                       |                        |                        |                         |                         |                         |  |   |  |
| 20 - 2.0 USgpm   | 60 - 6.0 USgpm |                |                |                |                |                |                          |                        |                            |                         |                           |                         |                           |                         |                           |                         |                           |                           |                           |  |                       |                       |                        |                        |                         |                         |                         |  |   |  |
| 15 - 6 L/min (1.5 USgpm)   |                |                |                |                |                |                |                          |                        |                            |                         |                           |                         |                           |                         |                           |                         |                           |                           |                           |  |                       |                       |                        |                        |                         |                         |                         |  |   |  |
| 20 - 8 L/min (2 USgpm)   |                |                |                |                |                |                |                          |                        |                            |                         |                           |                         |                           |                         |                           |                         |                           |                           |                           |  |                       |                       |                        |                        |                         |                         |                         |  |   |  |
| 25 - 9,5 L/min (2.5 USgpm)   |                |                |                |                |                |                |                          |                        |                            |                         |                           |                         |                           |                         |                           |                         |                           |                           |                           |  |                       |                       |                        |                        |                         |                         |                         |  |   |  |
| 30 - 11 L/min (3 USgpm)  |                |                |                |                |                |                |                          |                        |                            |                         |                           |                         |                           |                         |                           |                         |                           |                           |                           |  |                       |                       |                        |                        |                         |                         |                         |  |   |  |
| 35 - 13 L/min (3.5 USgpm)  |                |                |                |                |                |                |                          |                        |                            |                         |                           |                         |                           |                         |                           |                         |                           |                           |                           |  |                       |                       |                        |                        |                         |                         |                         |  |   |  |
| 40 - 15 L/min (4 USgpm)  |                |                |                |                |                |                |                          |                        |                            |                         |                           |                         |                           |                         |                           |                         |                           |                           |                           |  |                       |                       |                        |                        |                         |                         |                         |  |   |  |
| 45 - 17 L/min (4.5 USgpm)  |                |                |                |                |                |                |                          |                        |                            |                         |                           |                         |                           |                         |                           |                         |                           |                           |                           |  |                       |                       |                        |                        |                         |                         |                         |  |   |  |
| 50 - 19 L/min (5 USgpm)  |                |                |                |                |                |                |                          |                        |                            |                         |                           |                         |                           |                         |                           |                         |                           |                           |                           |  |                       |                       |                        |                        |                         |                         |                         |  |   |  |
| 55 - 21 L/min (5.5 USgpm)  |                |                |                |                |                |                |                          |                        |                            |                         |                           |                         |                           |                         |                           |                         |                           |                           |                           |  |                       |                       |                        |                        |                         |                         |                         |  |   |  |
| 60 - 23 L/min (6 USgpm)  |                |                |                |                |                |                |                          |                        |                            |                         |                           |                         |                           |                         |                           |                         |                           |                           |                           |  |                       |                       |                        |                        |                         |                         |                         |  |   |  |
| 65 - 25 L/min (6.5 USgpm)  |                |                |                |                |                |                |                          |                        |                            |                         |                           |                         |                           |                         |                           |                         |                           |                           |                           |  |                       |                       |                        |                        |                         |                         |                         |  |   |  |
| 70 - 26,5 L/min (7 USgpm)  |                |                |                |                |                |                |                          |                        |                            |                         |                           |                         |                           |                         |                           |                         |                           |                           |                           |  |                       |                       |                        |                        |                         |                         |                         |  |   |  |
| 75 - 28 L/min (7.5 USgpm)  |                |                |                |                |                |                |                          |                        |                            |                         |                           |                         |                           |                         |                           |                         |                           |                           |                           |  |                       |                       |                        |                        |                         |                         |                         |  |   |  |
| 05 - 35 bar (500 psi)  |                |                |                |                |                |                |                          |                        |                            |                         |                           |                         |                           |                         |                           |                         |                           |                           |                           |  |                       |                       |                        |                        |                         |                         |                         |  |   |  |
| 07 - 52 bar (750 psi)  |                |                |                |                |                |                |                          |                        |                            |                         |                           |                         |                           |                         |                           |                         |                           |                           |                           |  |                       |                       |                        |                        |                         |                         |                         |  |   |  |
| 10 - 70 bar (1000 psi)   |                |                |                |                |                |                |                          |                        |                            |                         |                           |                         |                           |                         |                           |                         |                           |                           |                           |  |                       |                       |                        |                        |                         |                         |                         |  |   |  |
| 12 - 86 bar (1250 psi)   |                |                |                |                |                |                |                          |                        |                            |                         |                           |                         |                           |                         |                           |                         |                           |                           |                           |  |                       |                       |                        |                        |                         |                         |                         |  |   |  |
| 15 - 100 bar (1500 psi)  |                |                |                |                |                |                |                          |                        |                            |                         |                           |                         |                           |                         |                           |                         |                           |                           |                           |  |                       |                       |                        |                        |                         |                         |                         |  |   |  |
| 17 - 120 bar (1750 psi)  |                |                |                |                |                |                |                          |                        |                            |                         |                           |                         |                           |                         |                           |                         |                           |                           |                           |  |                       |                       |                        |                        |                         |                         |                         |  |   |  |
| 20 - 140 bar (2000 psi)  |                |                |                |                |                |                |                          |                        |                            |                         |                           |                         |                           |                         |                           |                         |                           |                           |                           |  |                       |                       |                        |                        |                         |                         |                         |  |   |  |
| 07 - 1147 mL (70 in <sup>3</sup> ) 油箱<br>(VTM42A 省略)   |                |                |                |                |                |                |                          |                        |                            |                         |                           |                         |                           |                         |                           |                         |                           |                           |                           |  |                       |                       |                        |                        |                         |                         |                         |  |   |  |
| 11 - 1884 mL (115 in <sup>3</sup> ) 油箱<br>(VTM42A 省略)  |                |                |                |                |                |                |                          |                        |                            |                         |                           |                         |                           |                         |                           |                         |                           |                           |                           |  |                       |                       |                        |                        |                         |                         |                         |  |   |  |

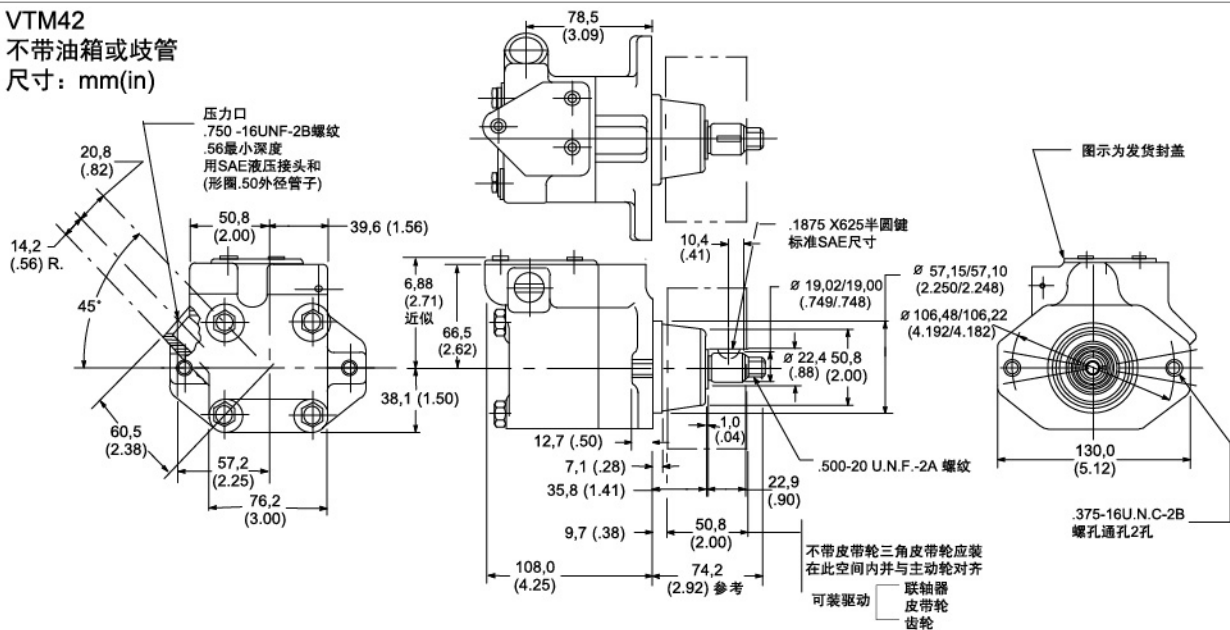
## 安装尺寸

### INSTALLATION DIMENSION

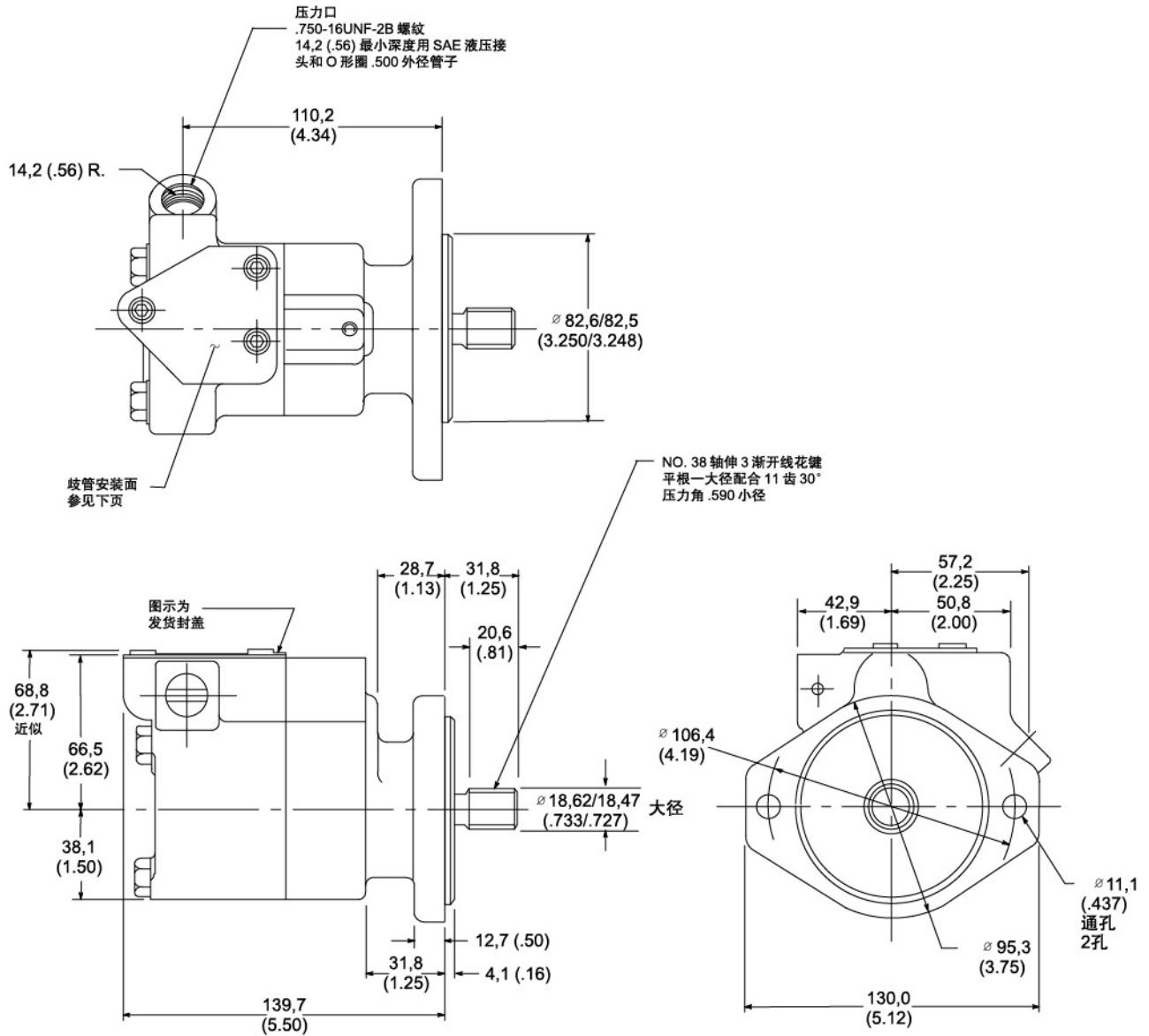
VTM42  
动力转向泵  
带油箱  
尺寸: mm(in)



VTM42  
不带油箱或歧管  
尺寸: mm(in)



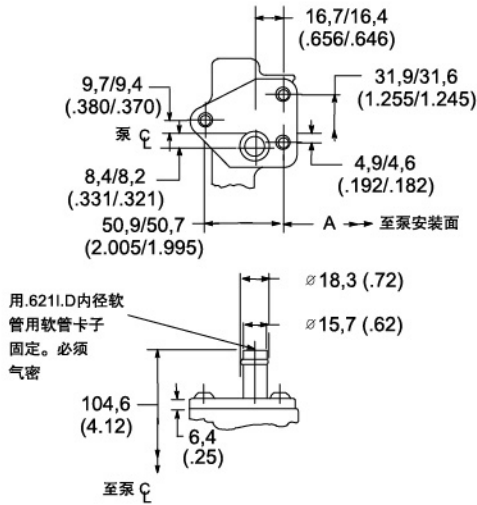
VTM42A  
动力转向泵  
带歧管  
尺寸: mm(in)



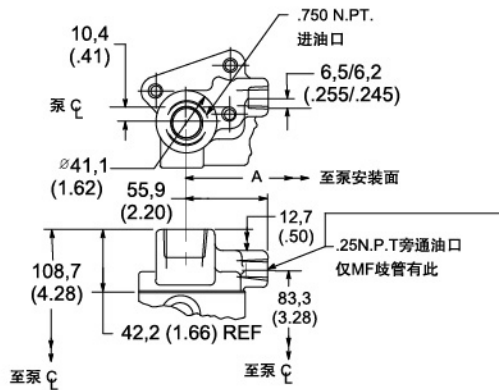
## 动力轻向泵的歧管

尺寸: mm(in)

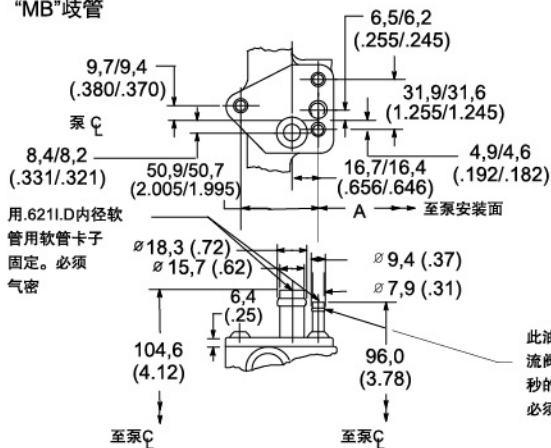
### "MA"歧管



### "MA"歧管

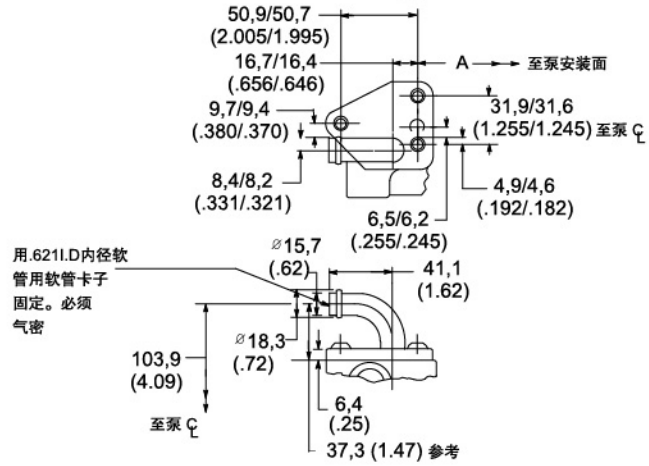


### "MB"歧管

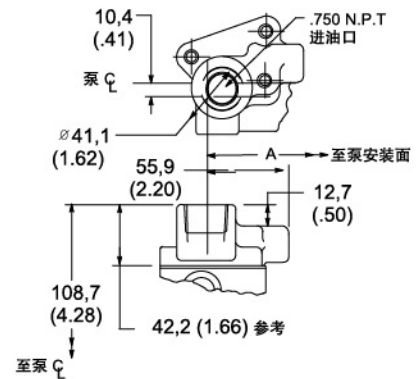


此油箱旁通口是工作在溢流阀压力下的时间超过15秒的装置所需的。此油口必须低于油箱液面。

### "MD"歧管



### "ME"歧管



歧管代号	尺寸 A	
	VTM42	VTM42A
MA	47,0	78,7
MB	(1.85)	(3.10)
MD	75,9	107,7
ME	(2.99)	(4.24)